



Foot Switch FS3 Data sheet

FS3

The LINAK® Foot Switch FS3 is an elegant control unit, allowing healthcare professionals across the sector to have both hands free when attending to patients, thus also helping to improve ergonomics. It is designed to be used in modular adjustment systems consisting of LINAK control boxes and electric LINAK IC actuators.

Developed in cooperation with end users, the FS3 is specifically designed to improve and ease control of applications, such as hospital beds, treatment couches/tables and various treatment chairs. The result is a particularly user-friendly and easy-to-clean unit with an elegant and aesthetic design.

However, the FS3 is also a very robust and durable foot control available in both a single and a double version. The latter allows you to add and control more movement options, often used in more advanced applications. The FS3 is available in an analogue version as well as a digital OpenBus™ version, and for applications where trip hazards are an issue or design freedom is prioritised, the unit comes in a wireless edition too (Bluetooth® BLE).



Features & Options:

- Pedals colour: Dark grey RAL7016
- Bottom housing colour: Light grey RAL7035
- Protection class: IPX6 (or IPX6 Washable DURA™ for beds model only)
- Number of functions: 1 or 2 functions
- Cable: Straight 1000 mm and 2000 mm, coiled 600 mm
- Button type: Easy touch tactile switches
- Design: Ergonomic design in the butterfly shape
- Mounting: Floor model or mounted on the side of the bed frame
- Wireless: Wireless operation together with CA/CO with BLE - floor model only

Usage:

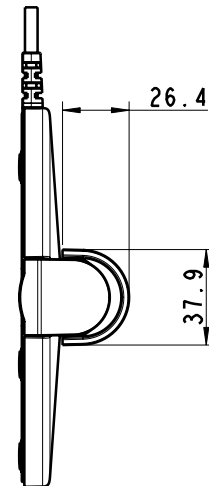
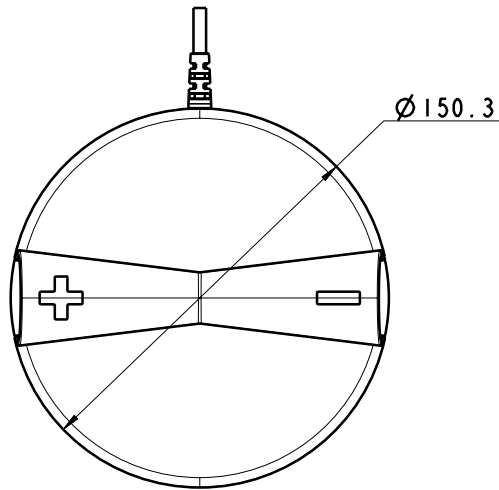
- Usage temperature: +5° C to +40° C
- Storage temperature: -10° C to +50° C
- Relative humidity: 20% to 80% - non-condensing
- Atmospheric pressure: 700 to 1060 hPa
- Height above sea level: Max. 3000 meters
- Compatibility: Compatible with LINAK analogue and OpenBus™ control boxes. Please contact LINAK.
- Approvals: **Safety** IEC60601-1
ANSI/AAMI ES60601-1
CAN/CSA-22.2 No. 60601-1

Radio RED
FCC (US)
IC (Canada)
Telec (Japan)

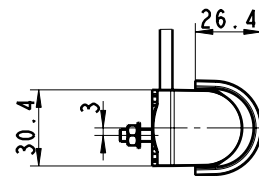
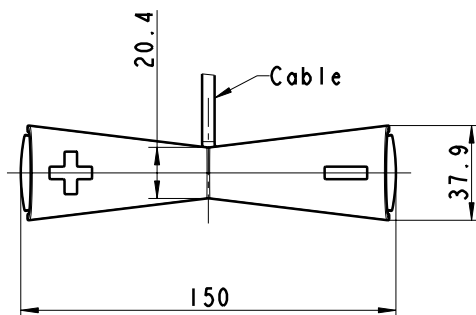
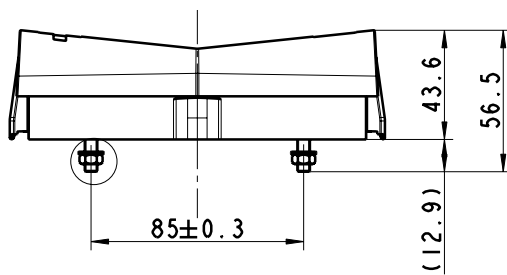
Battery IEC 62133
UL 205
UN 38.8

Dimensions drawings:

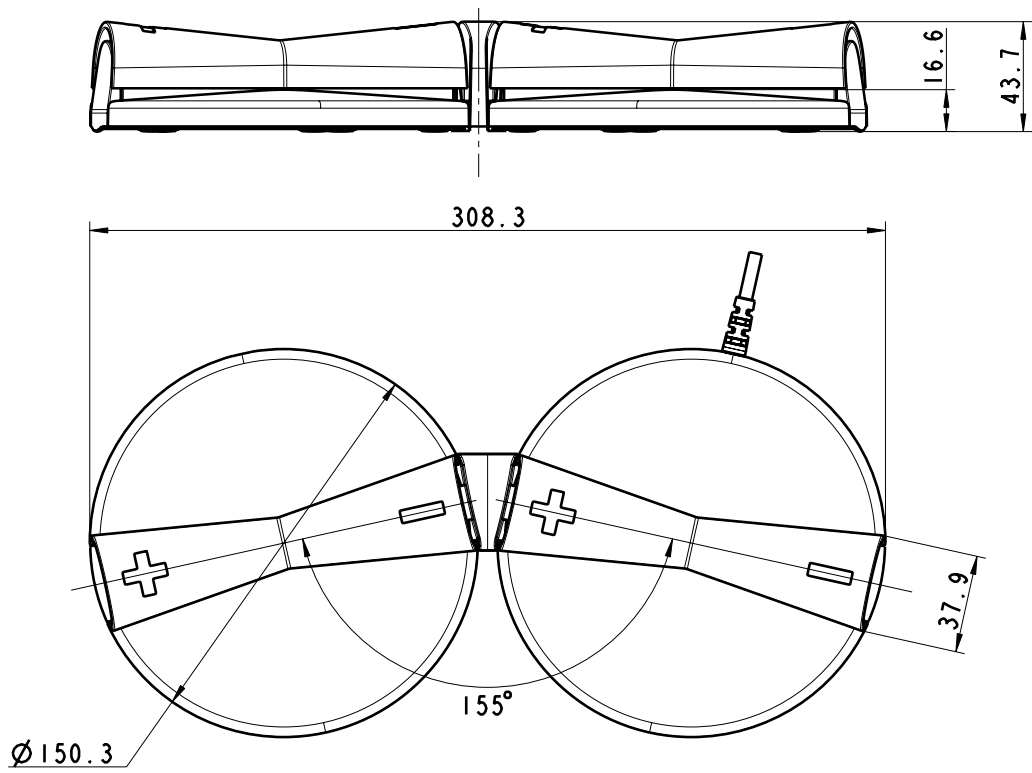
Dimensions for 1 channel floor model



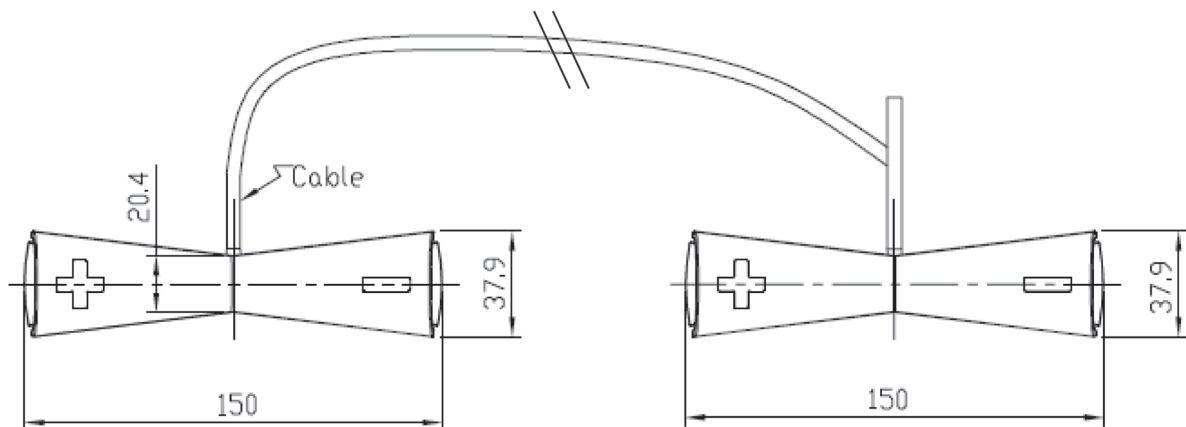
Dimensions for 1 channel bed model



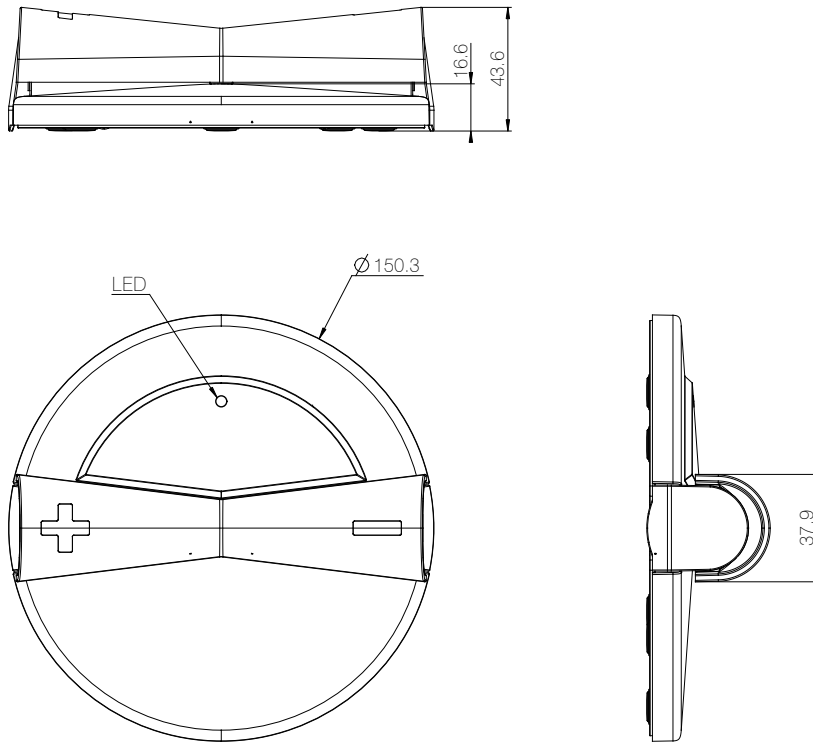
Dimensions for 2 channel floor model



Dimensions for 2 channel beds model with cable (analogue and OpenBus versions)

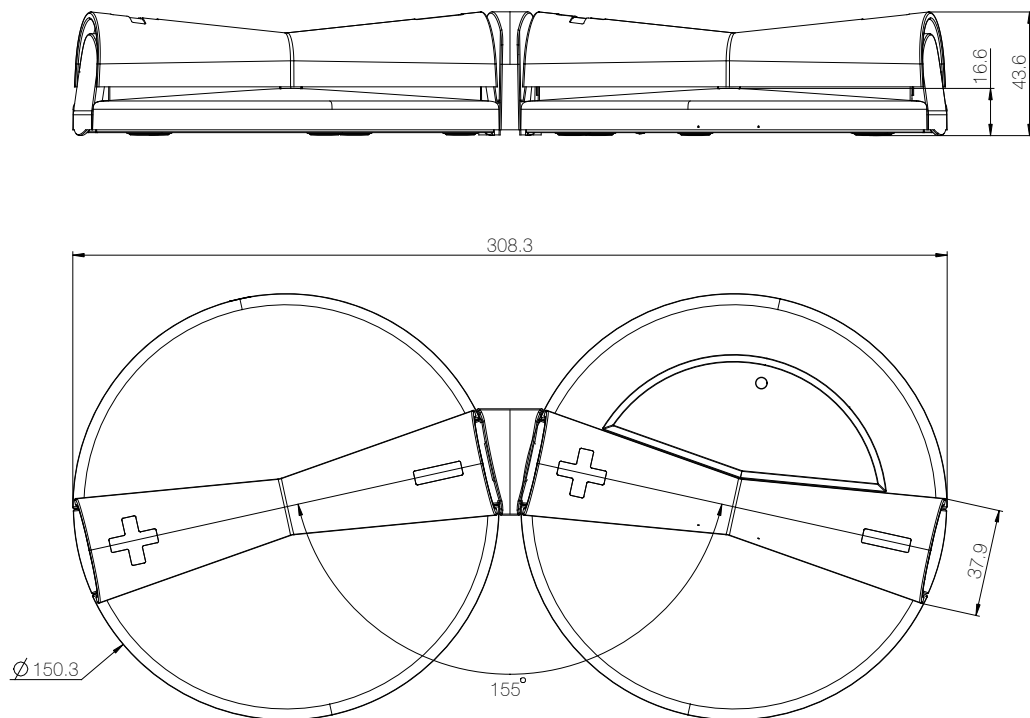


Dimensions for single FS3 wireless version



Drawing no.: 05801w4001

Dimensions for double FS3 wireless version



Drawing no.: 05801w4002

Foot Switch FS3

E-con ordering example:

F S 3 2 0 1 2 0 0 0 0 0 6 - G 0 0 0 0 0 0 0 D 0 1 0 0 0

	Not used	0 = None
	FS3 cable length:	0 = No cable (for wireless version only) 1 = Straight 2000 mm 2 = Straight 1000 mm 3 = Coil 600 mm (only for OB variants) X = Special
	FS3 cable material	0 = No cable (for wireless version only) 1 = PU
	FS3 cable plug type	D = DIN (CB8/9) M = Modular (CB6/CA/CO) N = No plug, wireless (CA63/CO71)
	FS3 cable colour	0 = Grey RAL7035 1 = No cable (for wireless version only)
	Not used	0 = None
	Interconnection cable	0 = None 1 = 1400 mm (only for bed adapter) 2 = 300 mm (only for bed adapter)
	Not used	0 = None
	Foot pedal handle colour	0 = Dark grey RAL7016 S = Special
	Mounting	0 = No screw (floor adapter single and double) 1 = Screw mounting (bed adapter single and double) 2 = No screw (wireless floor adapter single and double)
	Box colour	G = Grey RAL7035 - = None
	IP-degree:	6 = IPX6 (floor version and wireless floor version) W = IPX6 Washable DURA™ (bed version only)
	Not used	0 = None
	Bluetooth generation	0 = LINAK GEN1 (no longer available for ordering) 4 = LINAK GEN2
	Not used	0 = None
	Functionality right pedal (right/double pedal)	0 = Only for OpenBus™ See functionality overview 1 = See functionality overview 2 = See functionality overview 3 = Not for OpenBus™ See functionality overview 4 = Not for OpenBus™ See functionality overview 5 = See functionality overview wireless X = Special
	Functionality left pedal (left/single pedal)	S = Single pedal 0 = Only for OpenBus™ See functionality overview 1 = See functionality overview 2 = See functionality overview 3 = Not for OpenBus™ See functionality overview 4 = Not for OpenBus™ See functionality overview 5 = See functionality overview wireless X = Special
	Functionality type	0 = Analogue (CB6 like control box, common positive) H = Analogue (Common Ground, CB9 like control box must choose this bit) V = Openbus™ A = Wireless SW1 B = Wireless SW2 C = Wireless SW3 X = Special SW
	FS3 Type	0 = Bed adapter (single) 1 = Floor adapter (single) 2 = Floor adapter (double) 3 = Bed adapter (double) 4 = Floor wireless (single) 5 = Floor wireless (double)
	Controls Type	S3 = FS3
	Controls	F = Foot switch

Combination possibilities

	FS3 Floor version 1 ch 		FS3 Floor version 2 ch 		FS3 Bed version 1 ch 		FS3 Bed version 2 ch 		FS3 Wireless
	Analogue	OpenBus	Analogue	OpenBus	Analogue	OpenBus	Analogue	OpenBus	Bluetooth®
CB	CB6, CB8, CB9, CB140, CA30, CA40	CB6S, CB16, CB20	CB6, CB8, CB9, CB140, CA30, CA40	CB6S, CB16, CB20	CB6, CB8, CB9, CB140, CA30, CA40	CB6S, CB16, CB20	CB6, CB8, CB9, CB140, CA30, CA40	CB6S, CB16, CB20	CA63, CO71,
Cable type	Cable straight 2000	Cable straight 1000, 2000 cable coiled 600	Cable straight 2000	Cable straight 1000, 2000 cable coiled 600	Cable straight 2000	Cable straight 1000, 2000	Cable straight 2000, interconnection 1400*	Cable straight 2000, interconnection 1400*	N/A
Plug type	RJ45 (only CB6, CA30, CA40), DIN plug	RJ45 OpenBus	RJ45 (only CB6, CA30, CA40), DIN plug	RJ45 OpenBus	RJ45 (only CB6, CA30, CA40), DIN plug	RJ45 OpenBus	RJ45 (only CB6, CA30, CA40), DIN plug	RJ45 OpenBus	N/A
CBJH					Plug type: RJ45 Cable: straight 2000				N/A
CBJ1, CBJ2, CBJC					Plug type: DIN plug Cable: straight 2000				N/A
CBJC					Plug type: DIN plug Cable: straight 2000				N/A

* Cable material is PVC which is sufficient for a cable mounted between two foot switches with fixed mounting in an application. It is in accordance with LINAK cable guidances.